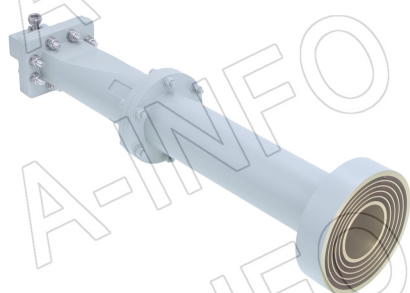


For reference only. See data sheet for the detailed specifications.

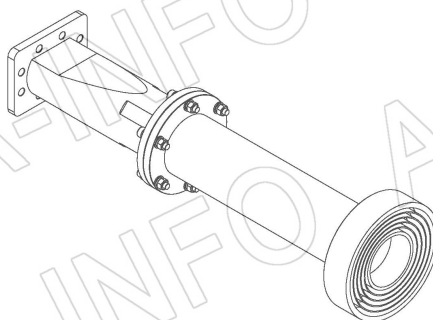
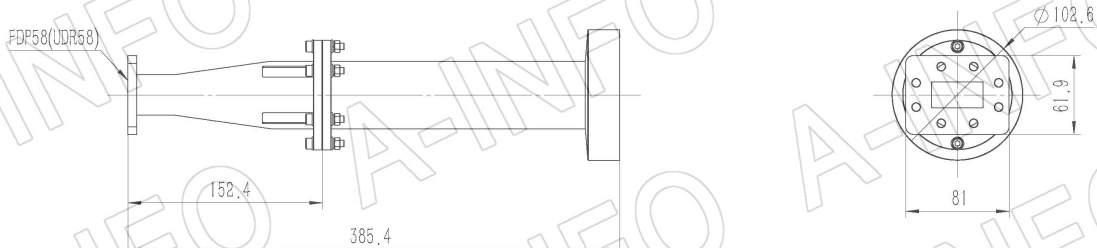
Technical Specification



| | |
|--------------------------|---|
| Frequency Range(GHz) | 4.90 – 7.05 |
| Waveguide | WR159 |
| Gain(dBi) | 10 Typ. |
| Polarization | Linear |
| 3dB Beamwidth(deg) | E Plane: 56 Typ. |
| | H Plane: 57 Typ. |
| 10dB Beamwidth(deg) | E Plane: 103 Typ. |
| | H Plane: 107 Typ. |
| Cross Pol. Isolation(dB) | 45 Typ. |
| VSWR | A Type: 1.20:1 Typ. |
| | C Type: 1.40:1 Typ. |
| Output | A Type: FDP58(UDR58) |
| | C Type: N-Female or SMA-Female or TNC-Female or 7mm or 3.5mm-Female |
| Material | Al |
| Finish | Chemical Conversion Coating, Gray Paint |
| Size(mm) | A Type: 102.6 x 102.6 x 385.4 |
| | C Type: 102.6 x 102.6 x 435.4 |
| Net Weight(Kg) | A Type: 1.18 Around |
| | C Type: 1.41 Around |

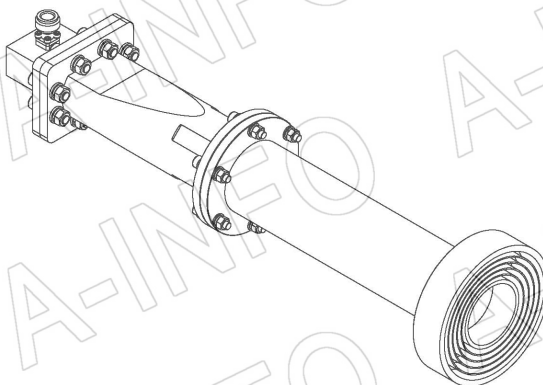
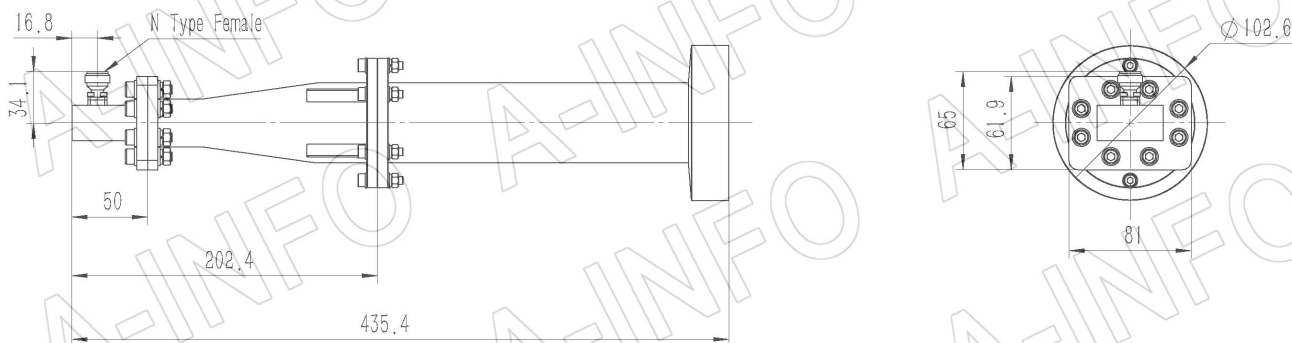
Outline Drawing (Size: mm)

FDP58 Output (P/N: LB-ACH-159-10-A)

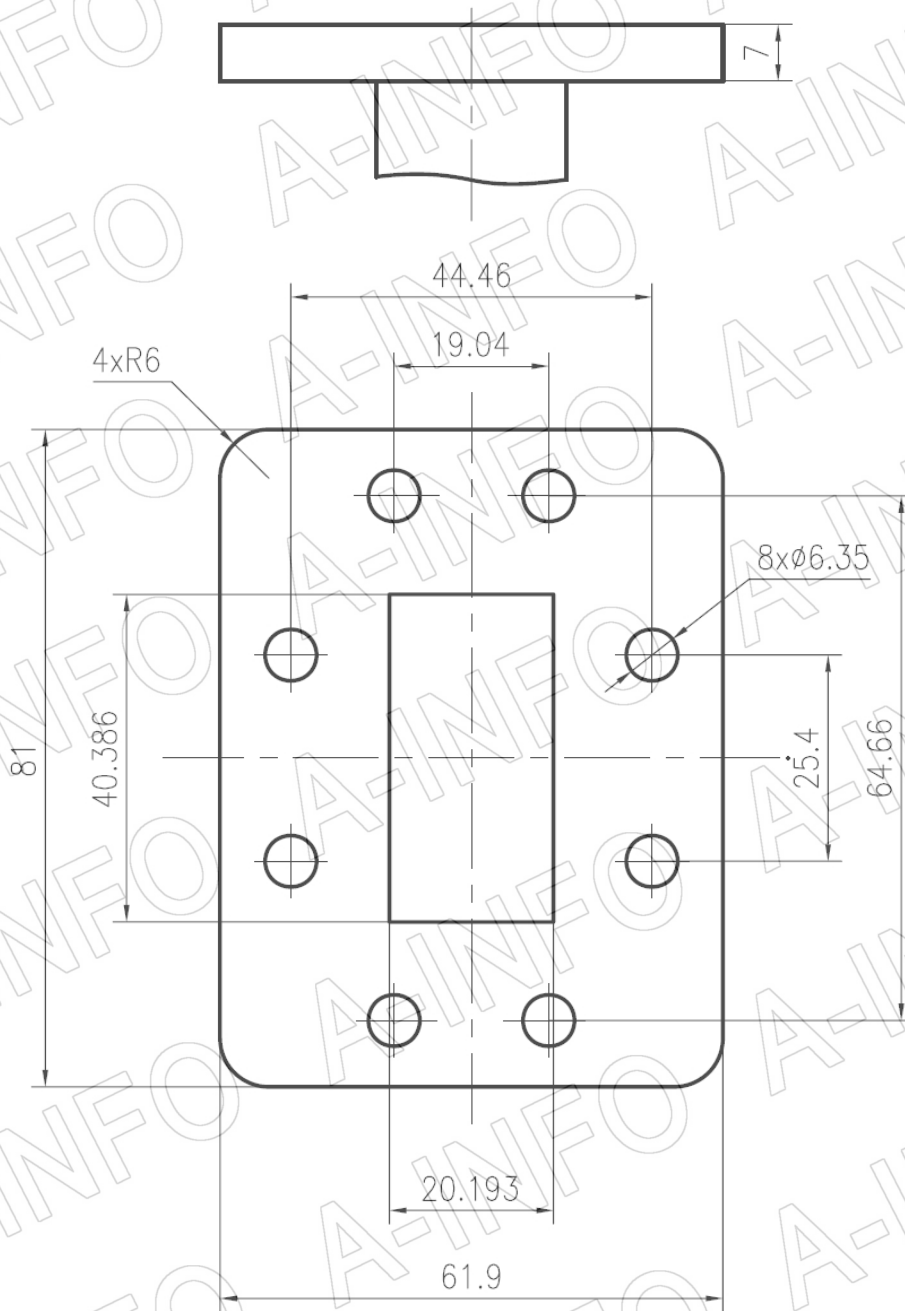


N-Female Output (P/N: LB-ACH-159-10-C-NF)

For SMA-Female, TNC-Female, 7mm or 3.5mm-Female output outline drawing, please contact A-INFO.



Flange Drawing (Size: mm)



FDP58

AINFO Inc.

China(Beijing): Tel: (+86) 10-6266-7326,
China(Chengdu): Tel: (+86) 28-8519-2786,
USA : Tel: (+1) 949-639-9688,

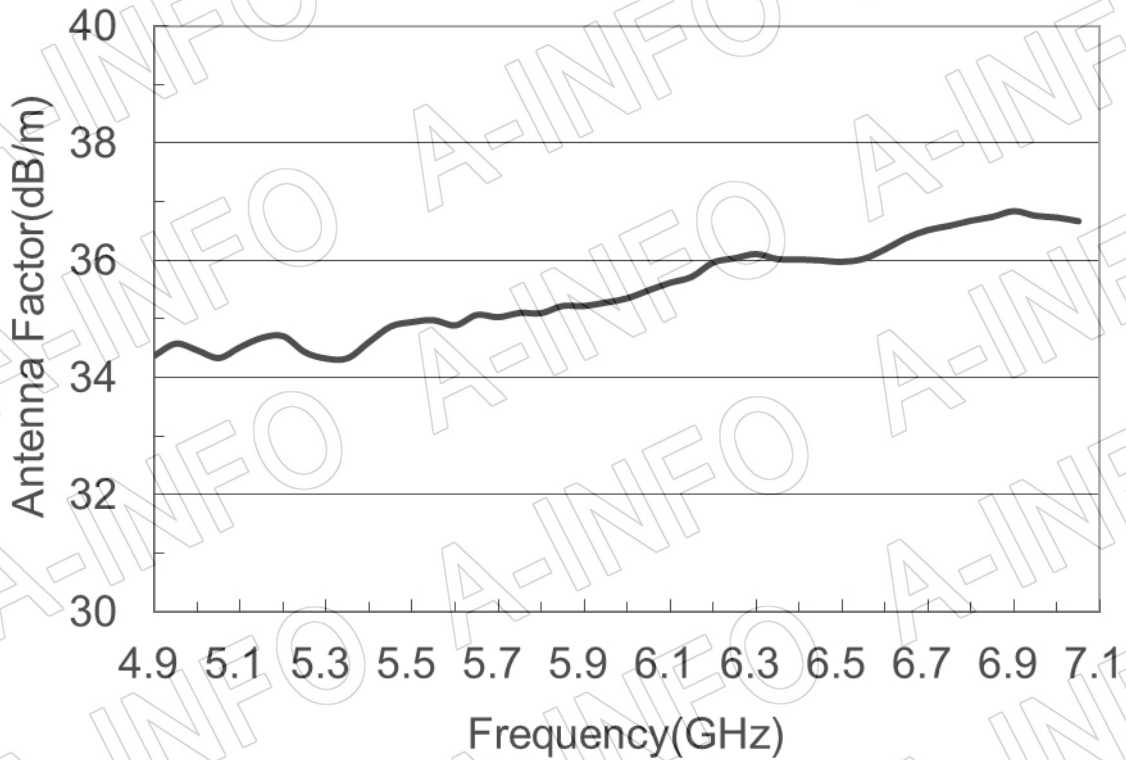
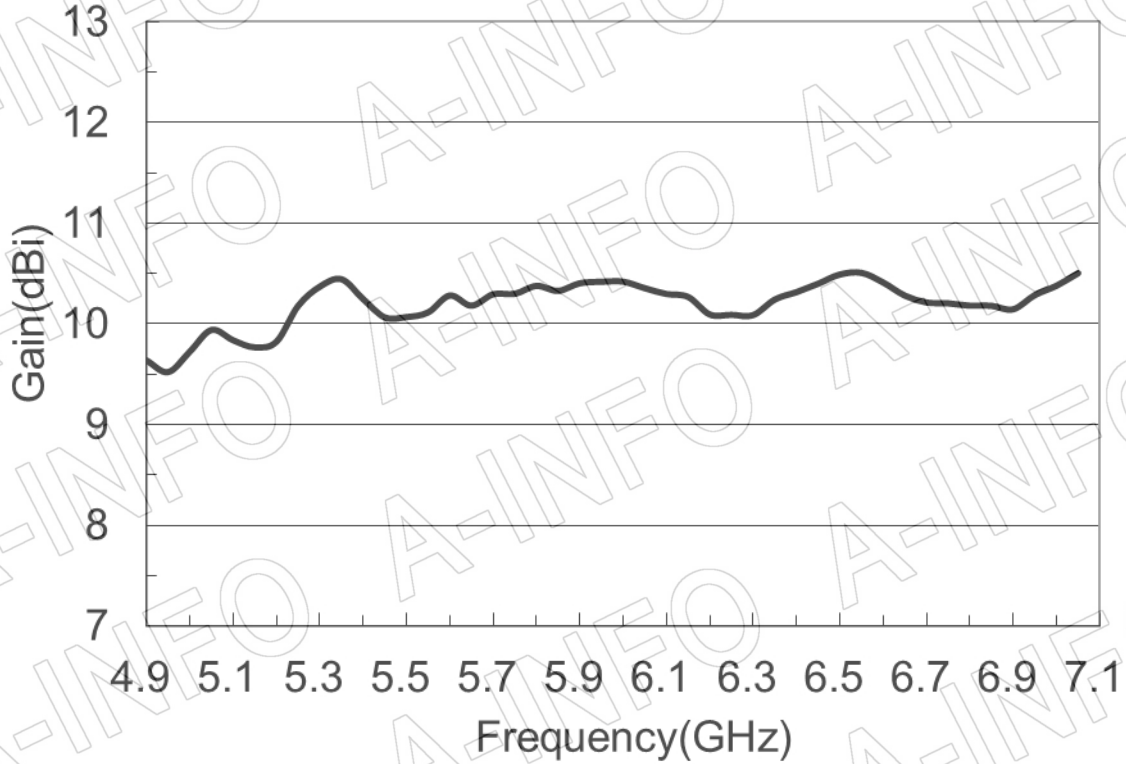
Page 3 of 8

(+86) 10-6266-7327 Fax: (+86) 10-6266-7379
(+86) 28-8519-3044 Fax: (+86) 28-8519-3068
(+1) 949-639-9608 Fax: (+1) 949-639-9670

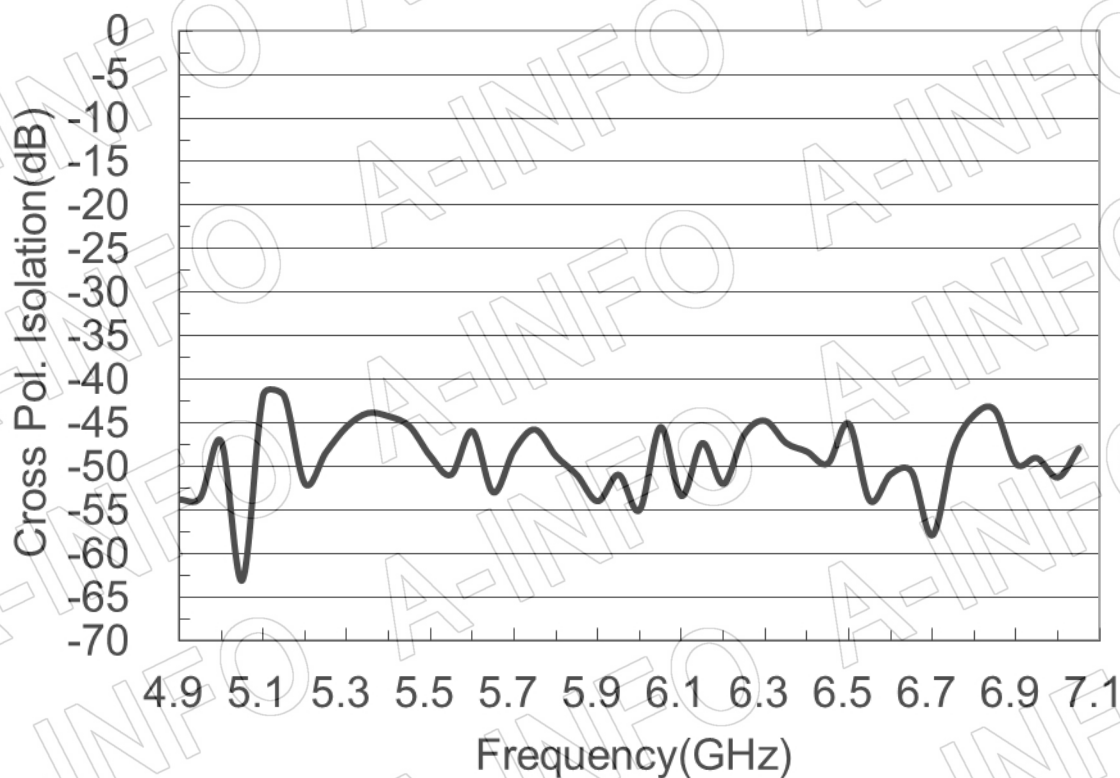
Website: www.ainfoinc.com
Email: sales@ainfoinc.com

Test Results

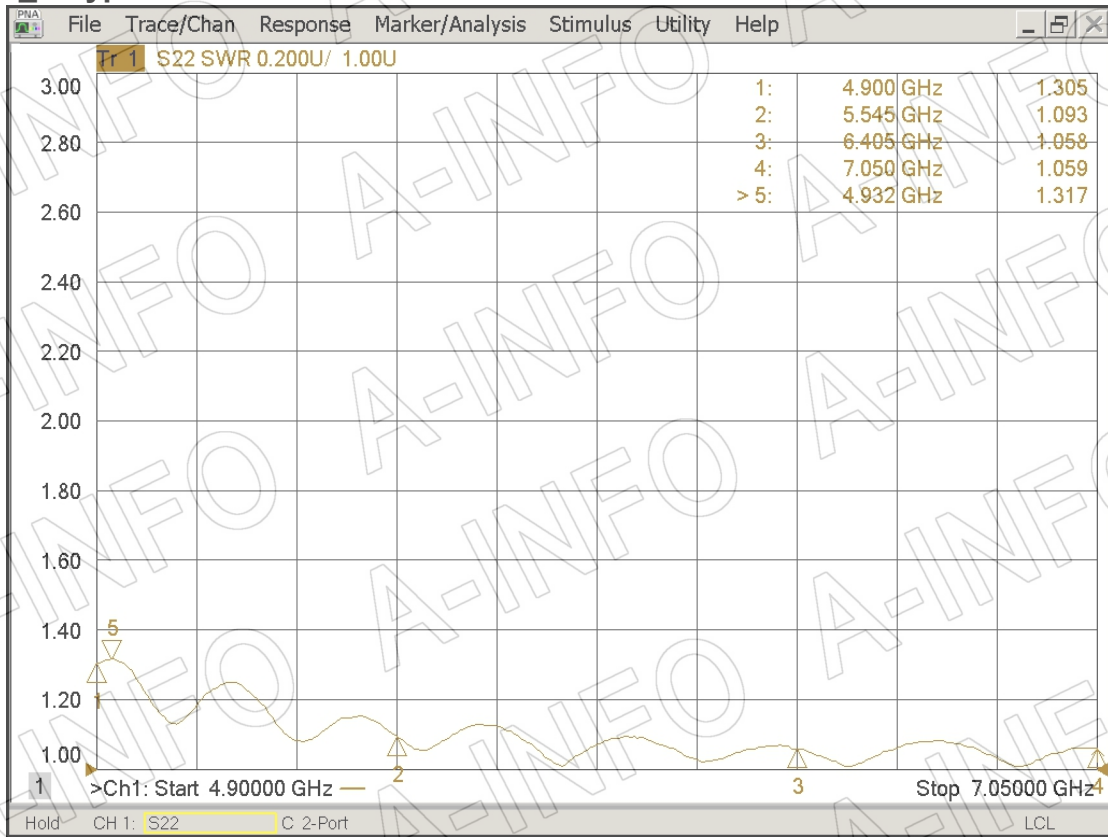
1. Gain & Antenna Factor



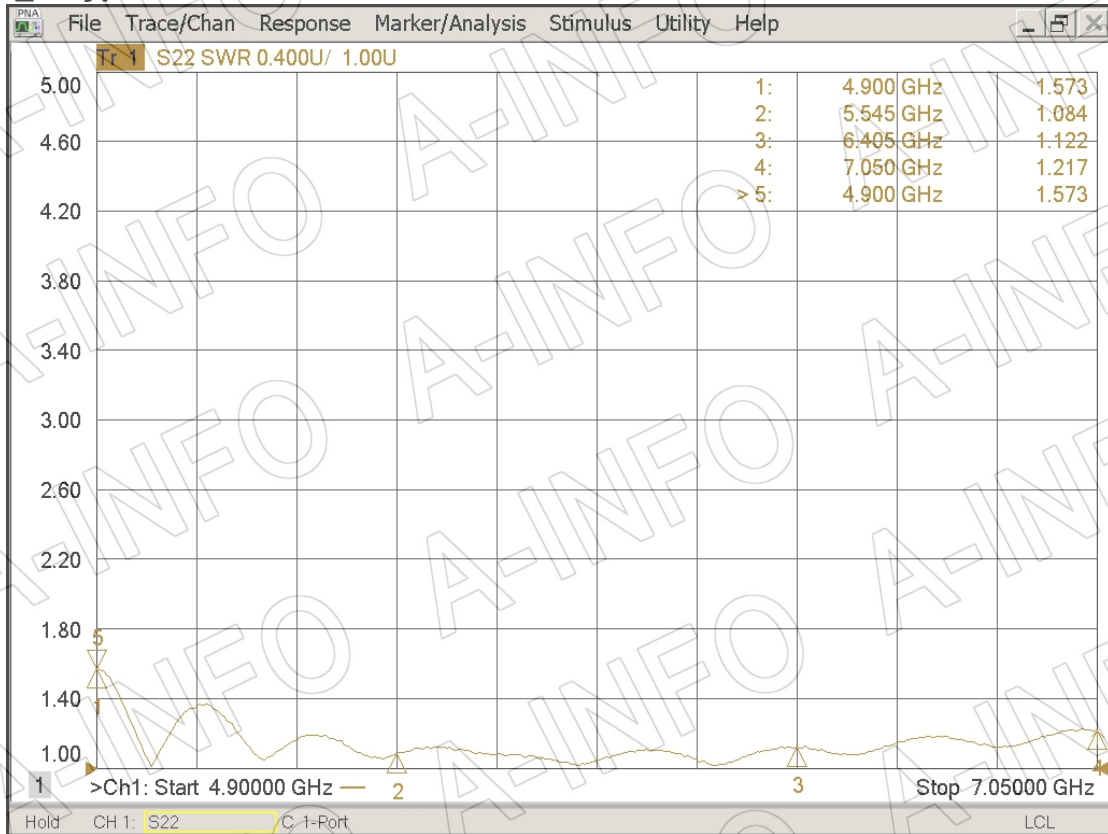
2. Cross Polarization Isolation



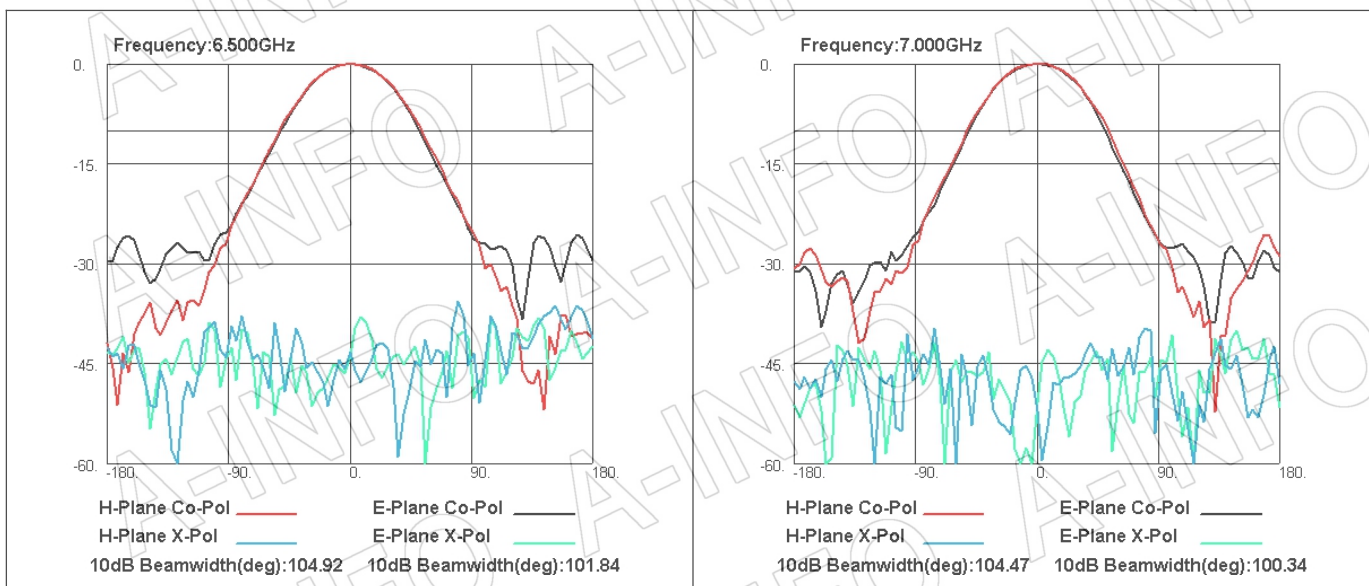
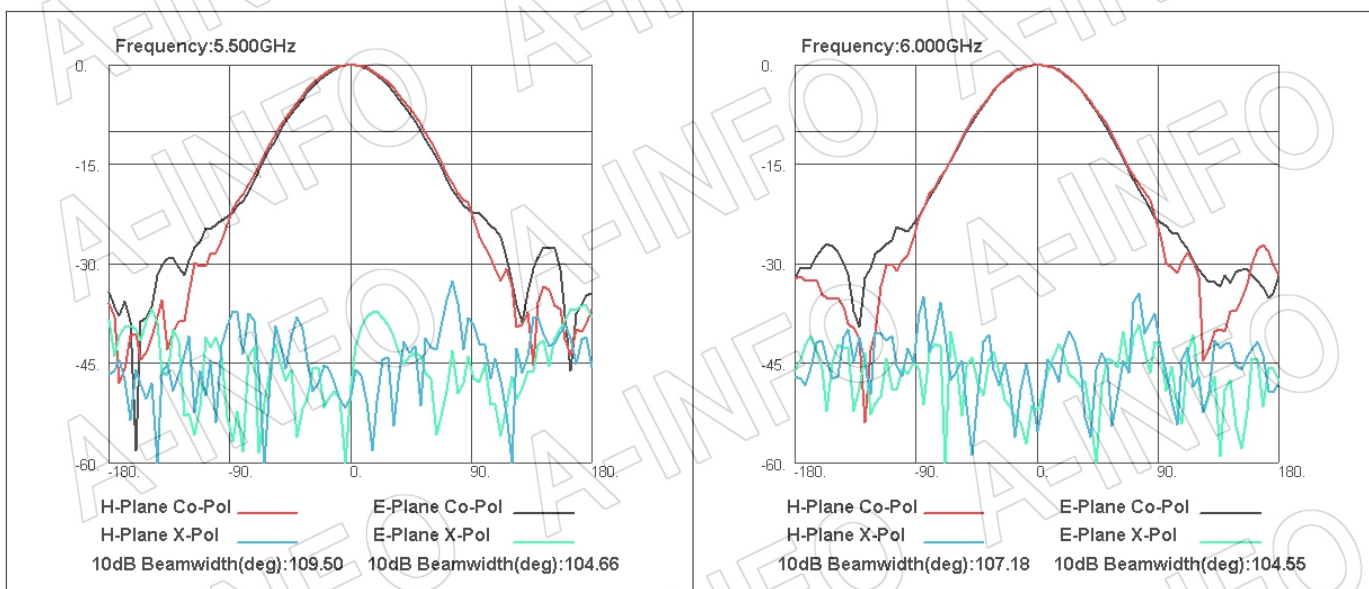
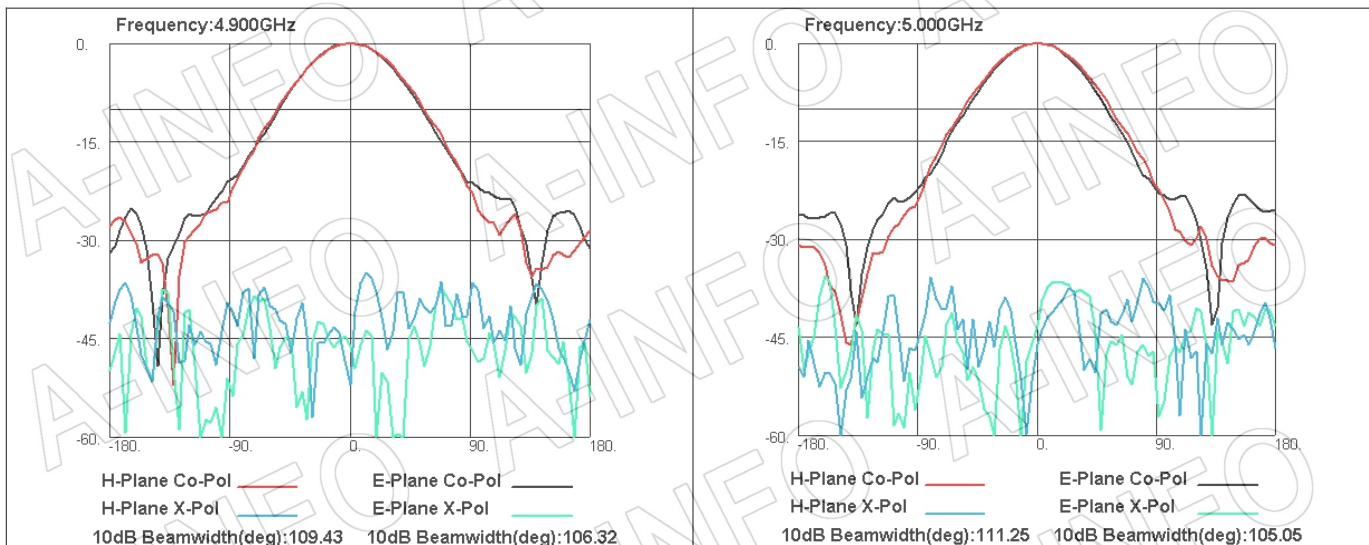
3. VSWR_A Type

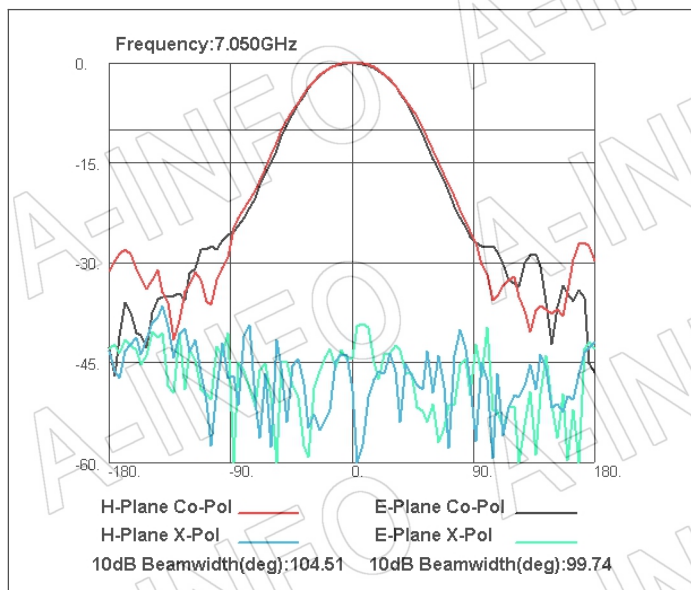


VSWR_C Type



4. Pattern





AINFO Inc.

China(Beijing): Tel: (+86) 10-6266-7326,
China(Chengdu): Tel: (+86) 28-8519-2786,
USA : Tel: (+1) 949-639-9688,

Page 8 of 8

(+86) 10-6266-7327 Fax: (+86) 10-6266-7379
(+86) 28-8519-3044 Fax: (+86) 28-8519-3068
(+1) 949-639-9608 Fax: (+1) 949-639-9670

Website: www.ainfoinc.com
Email: sales@ainfoinc.com